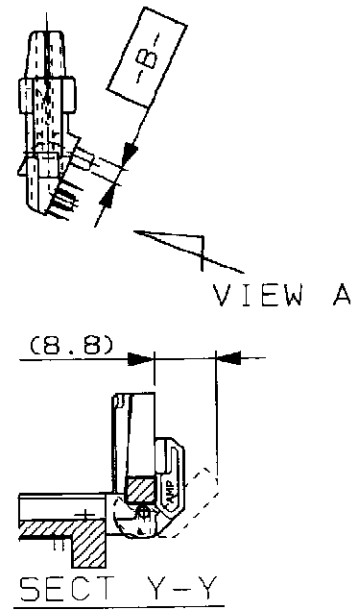
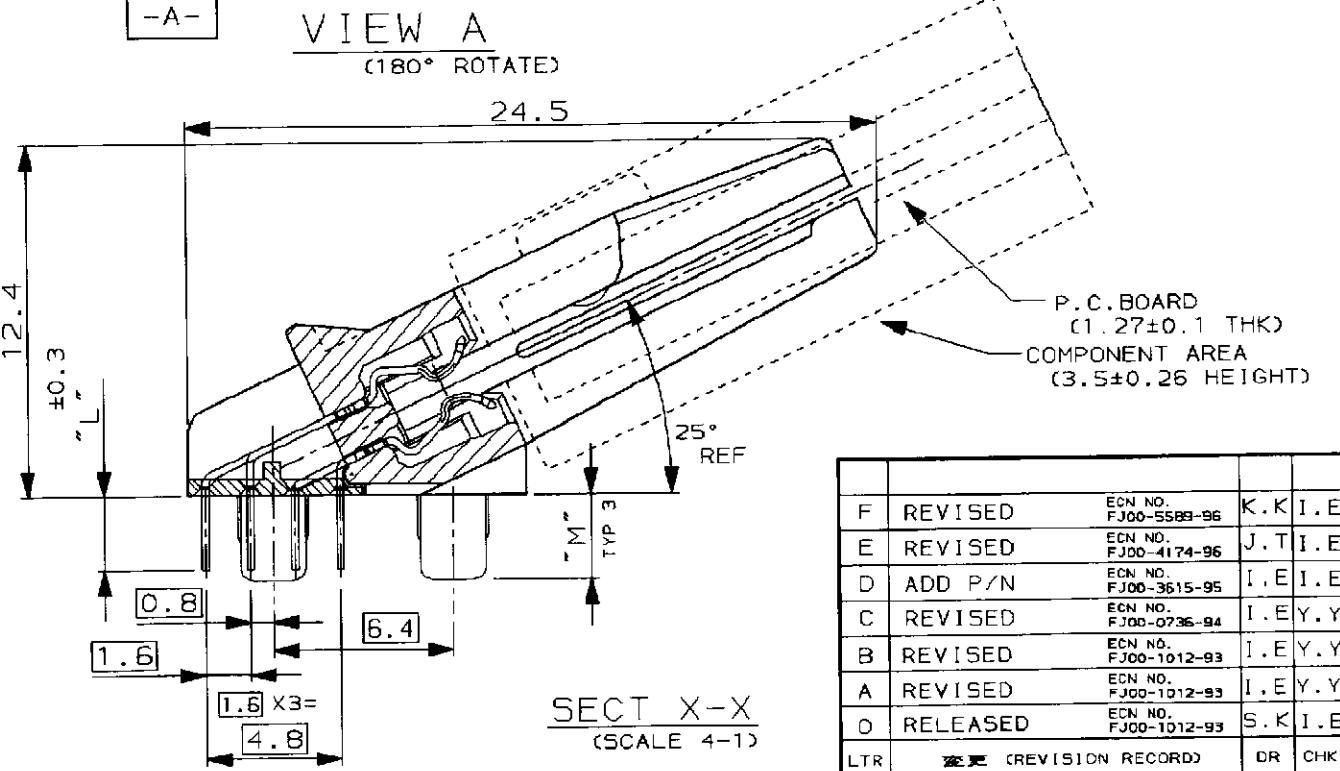
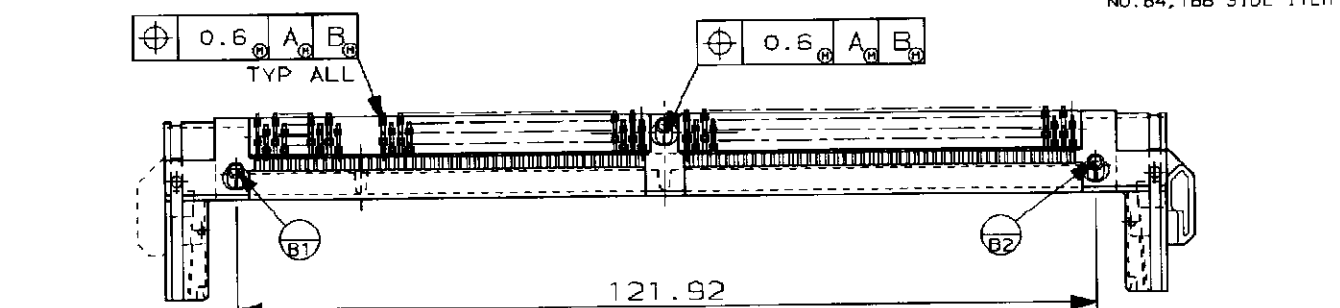
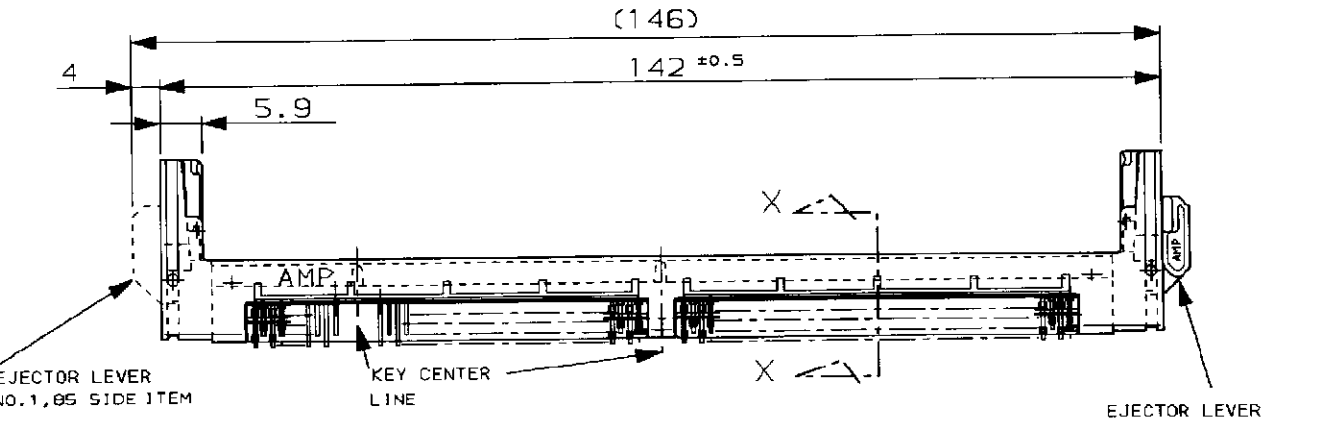
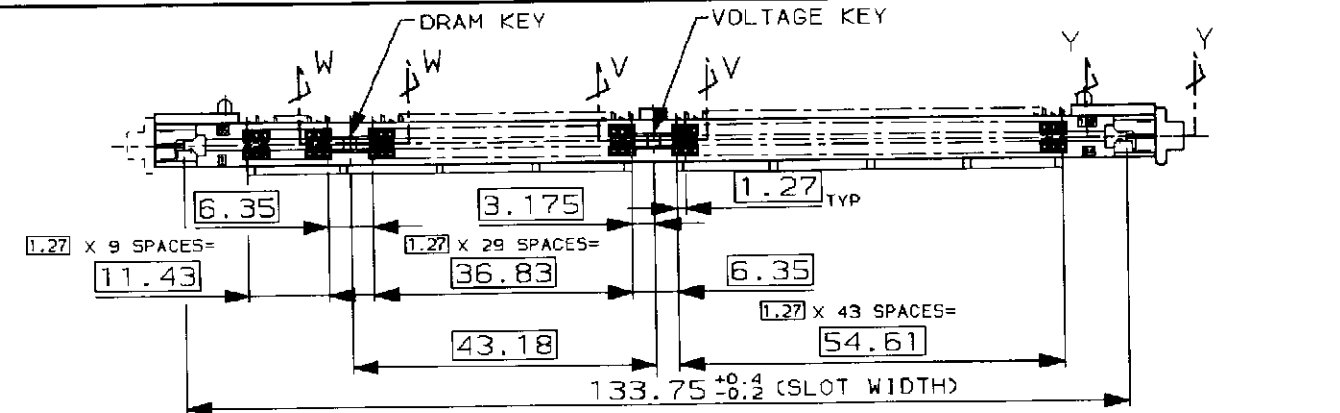


NUMBER C-179508
METRIC

PROJ NO. 695-248
PROJ NO. 593-384

ALL DIMENSIONS IN MM. DO NOT SCALE PRINT

PRINT DIST



NOTES;
 1. MATERIAL; HOUSING & EJECTOR LEVER: L.C.P (HIGH TEMP THERMO PLASTIC) UL 94V-0, NATURAL. (LEVER: BLACK)
 CONTACT: PHOS-BRZ
 2. FINISH; CONTACT AREA: 0.0003 MIN GOLD ON 0.0013 MIN ALL OVER NICKEL. SOLDERING AREA: 0.001 MIN TIN-LEAD.
 3. MODULE KEY POSITION OF CONNECTOR SEE TABLE.

注記;
 1. 材料;ハウジング & エジェクターレバー: L.C.P (耐熱熱可塑性樹脂) UL94V-0.自然色.(レバー: 黒色)
 コンタクト: 燐青銅
 2. めっき仕様; 接触部 金めっき 0.0003 MIN 厚 ニッケル下地 0.0013 MIN 厚 半田付け部; 半田めっき 0.001 MIN 厚
 3. コネクターのモジュールキーは表参照の事。

| ↑ | | ↑ | ↑ | ↑ | ↑ | ↑ | ↑ | ↑ | ↑ | ↑ | ↑ | ↑ | ↑ | ↑ | ↑ | ↑ | ↑ | ↑ |
|------|-----|-----------|--------------------------|----------|-------------|-----|-------------|---|----------|---|---|---|---|---|---|---|---|---|
| 3 | 3.4 | DRAM 3.3V | CIRCUIT NO. 1,85 SIDE | (A) | (C) | 168 | 2- | ↑ | -2 | | | | | | | | | |
| | | DRAM 5.0V | CIRCUIT NO. 1,85 SIDE | (A) | (B) | 168 | 2- | ↑ | -1 | | | | | | | | | |
| | | DRAM 3.3V | | (A) | (C) | 168 | 1- | ↑ | -2 | | | | | | | | | |
| | | DRAM 5.0V | CIRCUIT NO. 84,168 SIDE | (A) | (B) | 168 | 1- | ↑ | -1 | | | | | | | | | |
| | | DRAM 3.3V | | (A) | (C) | 168 | | ↑ | -2 | | | | | | | | | |
| 2.6 | 3 | DRAM 5.0V | CIRCUIT NO. 1,85 SIDE | (A) | (B) | 168 | | ↑ | -1 | | | | | | | | | |
| ±0.3 | "L" | REMARKS | EJECTOR LEVER MOUNT SIDE | DRAM KEY | VOLTAGE KEY | POS | KEYING TYPE | | PART NO. | | | | | | | | | |

| LTR | 変更 (REVISION RECORD) | DR | CHK | DATE |
|-----|----------------------|----------------------|---------|------------|
| F | REVISED | ECN NO. FJ00-5589-96 | K.K.I.E | 5/DEC-'96 |
| E | REVISED | ECN NO. FJ00-4174-96 | J.T.I.E | 26/FEB-'96 |
| D | ADD P/N | ECN NO. FJ00-3615-95 | I.E.I.E | 22-JUN-'95 |
| C | REVISED | ECN NO. FJ00-0736-94 | I.E.Y.Y | 7-JUN-'94 |
| B | REVISED | ECN NO. FJ00-1012-93 | I.E.Y.Y | 18-MAY-'94 |
| A | REVISED | ECN NO. FJ00-1012-93 | I.E.Y.Y | 20-JAN-'94 |
| O | RELEASED | ECN NO. FJ00-1012-93 | S.K.I.E | 10-DEC-'93 |

Copyright ©1993年 AMP (Japan) LTD. ALL RIGHTS RESERVED. 日本エー・エム・ピー株式会社 Tokyo, Japan

名称 (NAME): LOW PROFILE M64 CARD EDGE CONNECTOR, SLANT (25°) TYPE. (FOR 8 BYTE DIMM)

一般公差 (GENERAL TOLERANCES): 10mm以下: ±0.2, 10mm以上 30mm以下: ±0.25, 30mm以上 100mm以下: ±0.3, 角度: ±3°

材料 (MATERIAL): SEE NOTE 仕上 (FINISH): SEE NOTE

DR. S.KANEKI 10-DEC-'93 DE. I.ENOMOTO 10-DEC-'93

CHK. Y.YOSHIMURA 13-DEC-'93 APP. Y.YOSHIMURA 13-DEC-'93

LOC B J 番号 (No.) C-179508

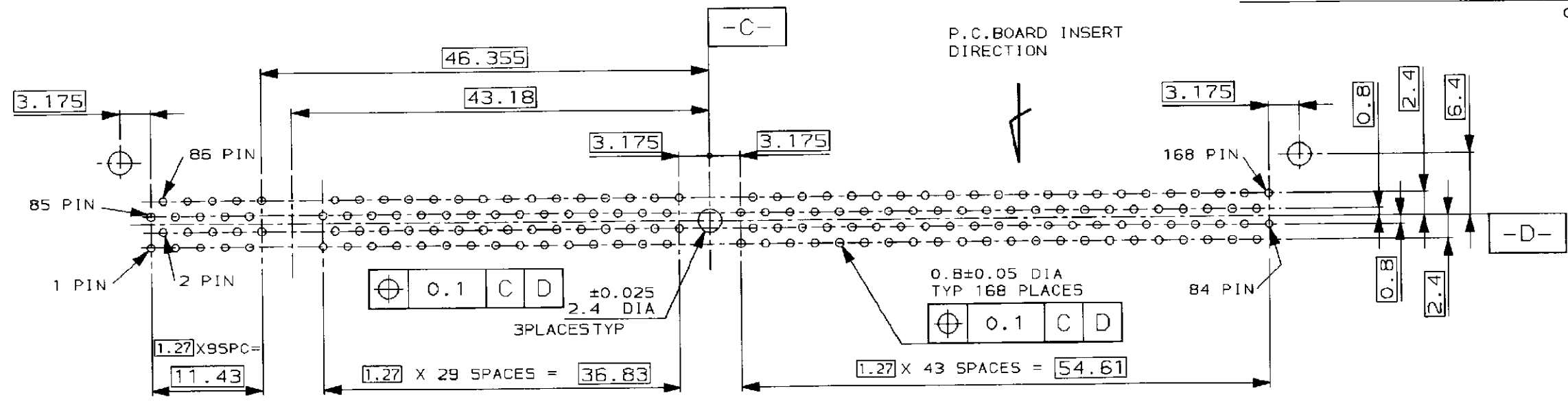
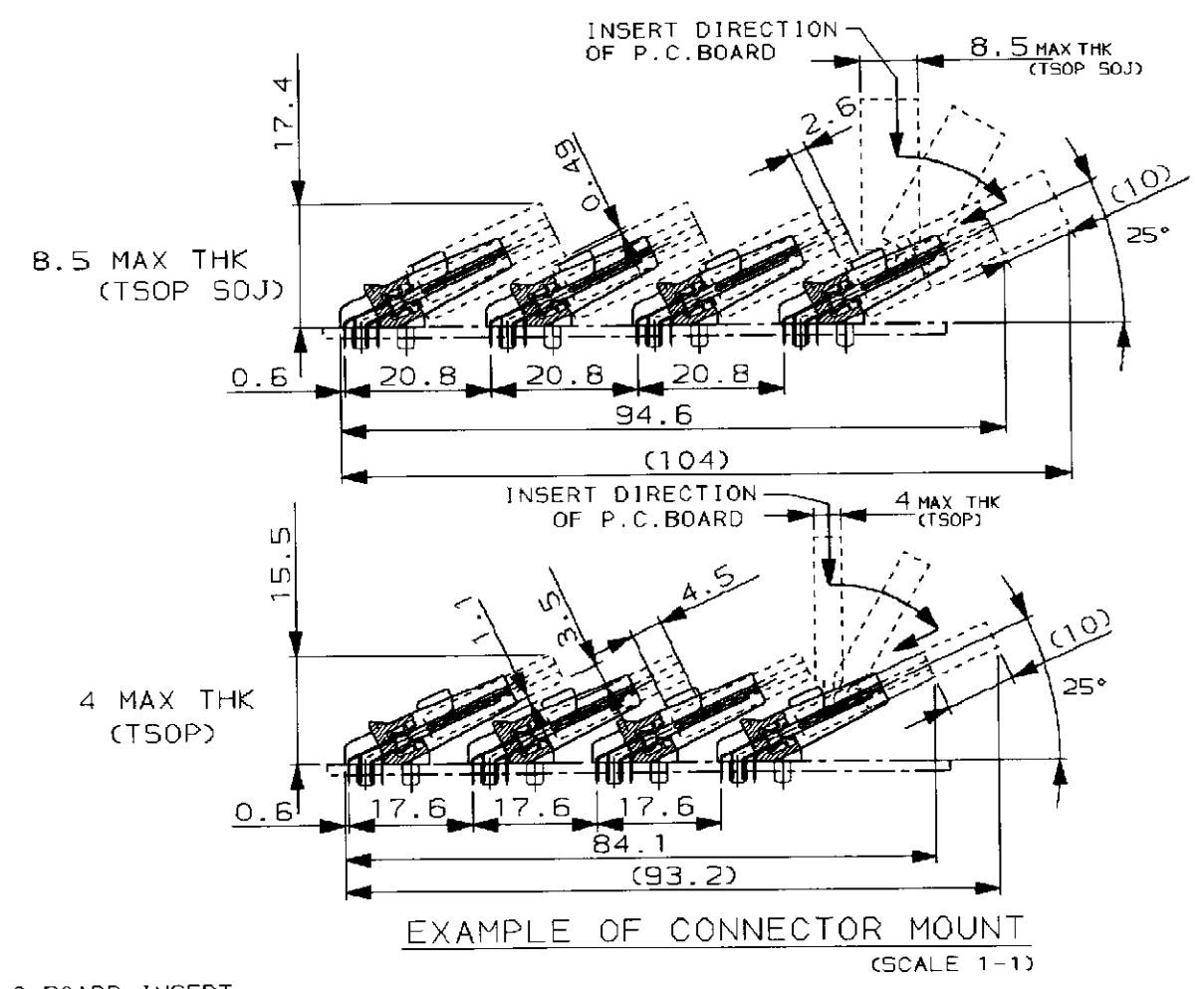
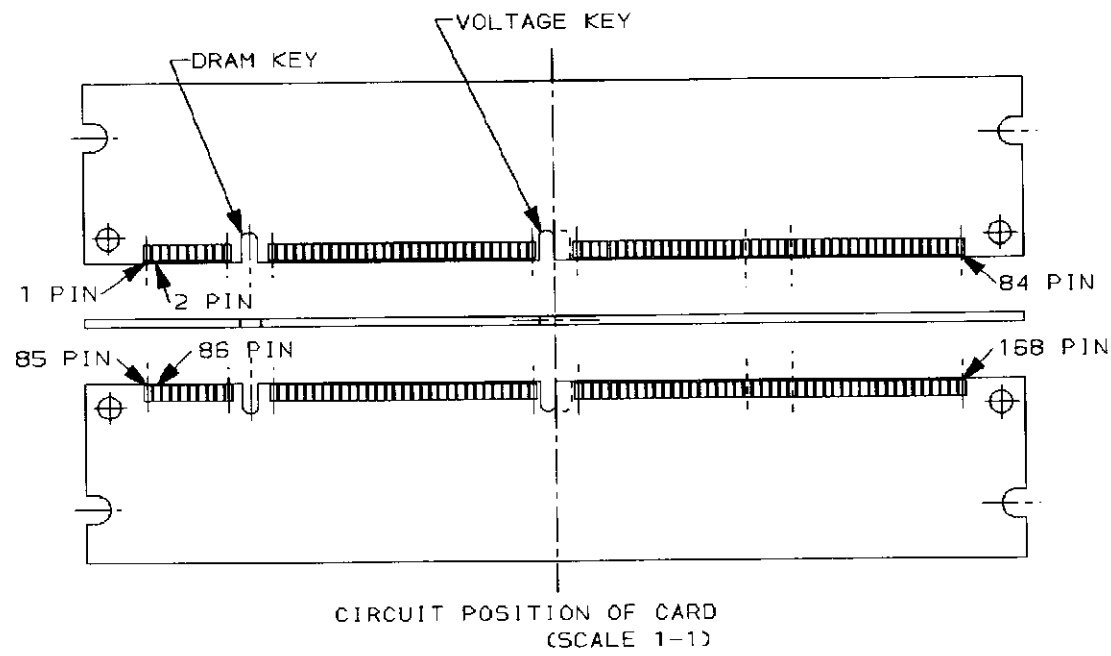
尺度 (SCALE) 1-1 REV. F SHEET 1 OF 3

NUMBER C-179508

METRIC

PROJ. NO. 695-24B
PROJ. NO. 593-384

PRINT DIST
単位: mm DIMENSIONS IN MM. DO NOT SCALE PRINT



推奨取付け穴仕様 (コネクタ取付け側)
RECOMMENDED P.C. BOARD HOLE LAYOUT
(CONNECTOR MOUNTING SIDE)
推奨基板厚
P.C. BOARD THK 1.6 ±0.1

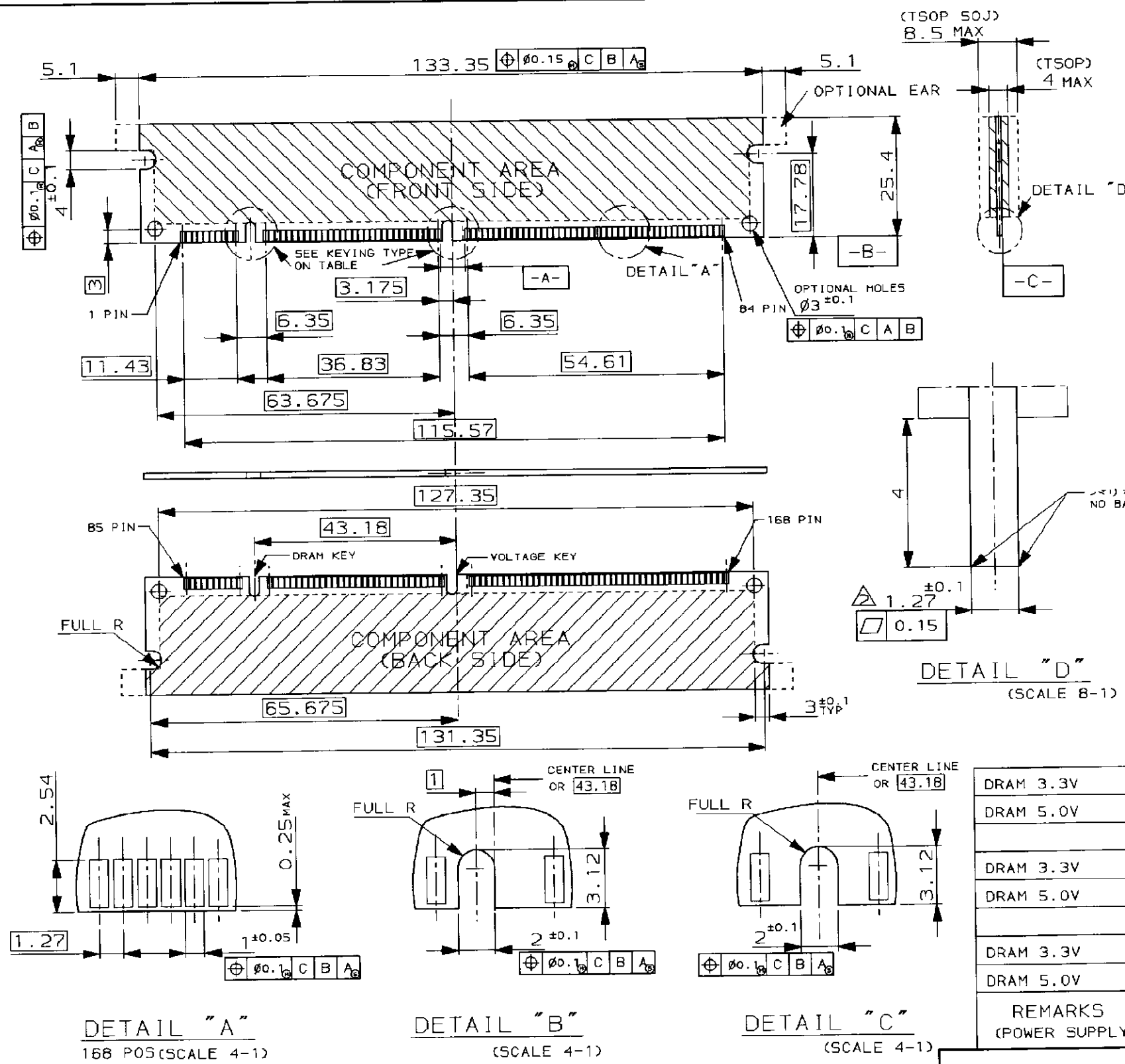
SEE SHEET 1 OF 3

| | | | | |
|-----|----------------------|----|-----|------|
| LTR | 変更 (REVISION RECORD) | DR | CHK | DATE |
|-----|----------------------|----|-----|------|

| | |
|---|--|
| Copyright ©1993年 AMP (Japan), LTD. ALL RIGHTS RESERVED. | Copyright ©1993 AMP (Japan), LTD. ALL RIGHTS RESERVED. |
| 材料 (MATERIAL) | 仕上 (FINISH) |
| DR. | DE. |
| CHK. | |

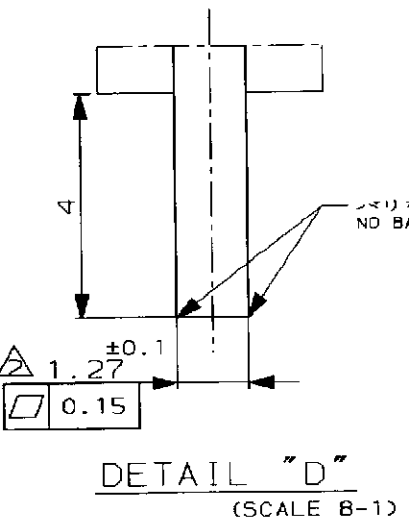
| | | | |
|--|--|---------------------------|----------|
| AMP | | 日本アンプ株式会社 Tokyo, Japan | |
| 名称 (NAME) LOW PROFILE M64 CARD EDGE CONNECTOR, SLANT (25°) TYPE. (FOR 8 BYTE DIMM) | | | |
| 一般公差 (GENERAL TOLERANCE) | | LDC | 番号 (No.) |
| 10mm以下: ±0.2 10mm以上 30mm以下: ±0.25 30mm以上 100mm以下: ±0.3 角: ±3° | | B J | C-179508 |
| 尺度 (SCALE) 2-1 | | REV. | SHEET |
| | | F | 2 OF 3 |

NUMBER C-179508
 METRIC
 PROJ NO. 695-24B
 PROJ NO. 593-384
 PRINT DIST
 AMP-J010-2C
 REV. 3/93
 ptj00098

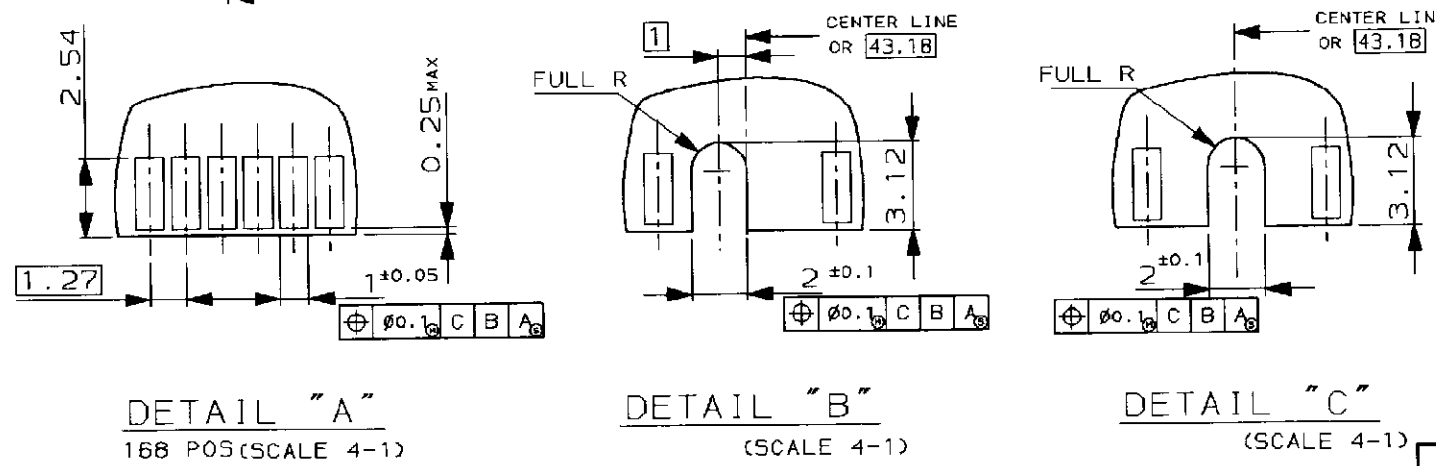


- NOTES;
- TOLERANCES ON ALL DIMENSIONS ± 0.13 UNLESS OTHERWISE SPECIFIED.
 - P.C.BOARD THICKNESS APPLIES ACROSS TABS AND INCLUDES PLATING AND/OR METALLIZATION.
 - FINISH OF PAD : GOLD PLATING 0.00076 MIN OVER NI PLATING 0.002 MIN.

- 注記;
- 一般公差 ± 0.13
 - 基板厚寸法は、めっき厚を含む。
 - パッド部の仕上げ: ニッケル下地めっき 0.002 MIN 厚の上に、金めっき 0.00076 MIN 厚を施す。



推奨基板仕様
 RECOMMENDED MATING BOARD CONFIGURATION.



| | | | | | | |
|------------------------|--------------------------|-------------|-------------|-----|--------------------|----------|
| DRAM 3.3V | | DETAIL "C" | DETAIL "C" | 168 | 2- | -2 |
| DRAM 5.0V | NO.1,85 SIDE | DETAIL "C" | DETAIL "B" | 168 | 2- | 179508-1 |
| DRAM 3.3V | | DETAIL "C" | DETAIL "C" | 168 | 1- | -2 |
| DRAM 5.0V | NO.84,168 SIDE | DETAIL "C" | DETAIL "B" | 168 | 1- | 179508-1 |
| DRAM 3.3V | | DETAIL "C" | DETAIL "C" | 168 | | -2 |
| DRAM 5.0V | NO.1,85 SIDE | DETAIL "C" | DETAIL "B" | 168 | | 179508-1 |
| REMARKS (POWER SUPPLY) | EJECTOR LEVER MOUNT SIDE | DRAM KEY | VOLTAGE KEY | POS | CONNECTOR PART NO. | |
| | | KEYING TYPE | | | | |

Copyright ©1993年 AMP (Japan), LTD. ALL RIGHTS RESERVED. AMP 日本エー・エム・ピー株式会社 Tokyo, Japan

名称 (NAME) LOW PROFILE M64 CARD EDGE CONNECTOR, SLANT (25°) TYPE. (FOR 8 BYTE DIMM)

一般公差 (GENERAL TOLERANCE) 10mm以下: ±0.2, 10mm以上 30mm以下: ±0.25, 30mm以上 100mm以下: ±0.3, 角度: ±3°

LOC B J 番号 (No.) C-179508

尺度 (SCALE) 1-1 REV. F SHEET 3 OF 3

SEE SHEET 1 OF 3

LTR 変更 (REVISION RECORD) DR CHK DATE